

FOX VALLEY TOOL & DIE, INC.

Press Specifications

Press	Niagara BN-80	Komatsu OBW150	Komatsu H1F150 CS	Komatsu H1F150 CS	Komatsu #1 OBW200	Komatsu #2 OBW200	Komatsu H1F200 CH
Tonnage	88	165	165	165	220	220	220
Shut Height (SDAU)	13	15.11**	16.54	16.54	16.68**	16.68**	17.72
Stroke	6	7.87	5.12	5.12	9.84	9.84	6.30
Ram Adjustment	4.5	3.94	3.94	3.94	4.72	4.72	4.72
Strokes/Min.	30-75	35-65	30-85	30-85	30-50	30-50	20-70
Ram Area Depth x Width	18 x 24	23 x 63	22 x 28	22 x 28	26 x 73	26 x 73	26 x 34
Bolster Area Depth x Width	24 x 36	30 x 82	30 x 40	30 x 40	34 x 95	34 x 95	33 x 57
Feed Line Height	6 +/-2	8 +/-4	n/a	8 +/-4	8 +/-4	8 +/-4	8 +/-4
Feed Line Rating	.125 x 12	.187 x 18	n/a	.187 x 18	.187 x 24	.187 x 24	.187 x 24
Coil Weight Max.	8,000	8,000	n/a	8,000	10,000	10,000	10,000
Air Cushion	n/a	n/a	n/a	n/a	n/a	n/a	n/a
A.C. Tonnage	n/a	n/a	n/a	n/a	n/a	n/a	n/a
Ram Knockout	yes	no	yes	yes	yes	yes	yes
Press Type	Mech.	Mech.	Mech./Servo	Mech./Servo	Mech.	Mech.	Mech./Servo

FOX VALLEY TOOL & DIE, INC.

Press Specifications

Press	Komatsu H1F200 CS	Komatsu H1F200-2	Komatsu OBW250	Komatsu H2W 300S	Pacific #1 250PF-OBS	Pacific #2 250PF-OBS	Pacific 400D10-48
Tonnage	220	220	275	330	250	250	400
Shut Height (SDAU)	17.72	17.72	18.65**	23.6	12	12	15
Stroke	9.84	11.8 / 1.18	11.81	11.8 / 5.9	10	10	18
Ram Adjustment	4.72	4.72	4.72	7.8	adj.	adj.	adj.
Strokes/Min.	20-50	50 /124	20-40	40 / 55	n/a	n/a	n/a
Ram Area Depth x Width	26 x 34	26 x 34	28 x 83	47 x 82	34 x 58	34 x 58	48 x 120
Bolster Area Depth x Width	33 x 57	33 x 57	37 x 106	47 x 94	34 x 58	34 x 58	48 x 120
Feed Line Height	n/a	8 +/-4	8 +/-4	12 +/-64	n/a	n/a	n/a
Feed Line Rating	n/a	.187 x 24	.187 x 24	.281 x 24 .375 x 12 .500 x 8	n/a	n/a	n/a
Coil Weight Max.	n/a	6,500	15,000	15,000	n/a	n/a	n/a
Air Cushion	n/a	n/a	n/a	n/a	yes	yes	yes
A.C. Tonnage	n/a	n/a	n/a	n/a	75	75	45*
Ram Knockout	yes	yes	yes	yes	yes	yes	yes
Press Type	Mech./Servo	Mech./Servo	Mech.	Mech./Servo	Hyd.	Hyd.	Hyd.

*400 ton Pacific has 3 cushions @ 45 tons each

FOX VALLEY TOOL & DIE, INC.

Coil Specifications & Packaging Instructions

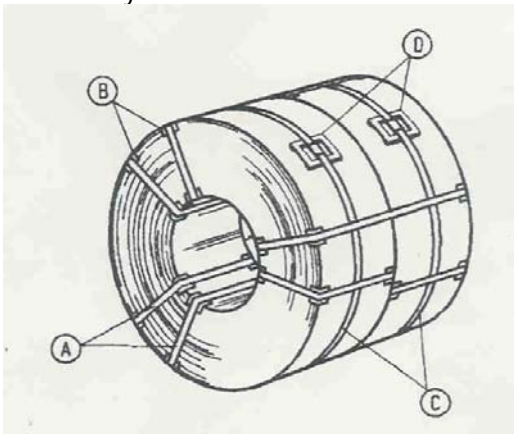
Coil Specifications:

- ID 17-20"
- OD 65" Maximum (48" Preferred Minimum)
- 10,000# Maximum Coil Weight *unless otherwise noted otherwise
- Paper Shroud Top/Bottom
- Fork Lift "Rear" Unloading
- Ship Via Flat Bed w/ Removable Sides (Tarped) or Closed Van
 - truck bed must be standard loading dock height 48"
- Receiving Hours 7am/3:30 pm Monday/Friday
- Drivers Should Call for Deviations 920-766-9455 ext 201, Brian Tetzlaff
- Coil Tags w/ following information: FVTD PO #, Material ID #, Material Description & Size, Coil Wt., Tare Wt., Heat #
- Any coil deviations please contact Mark Tetzlaff 920-766-9455 ext 200 or Brian Tetzlaff ext 201

Packaging Instructions:

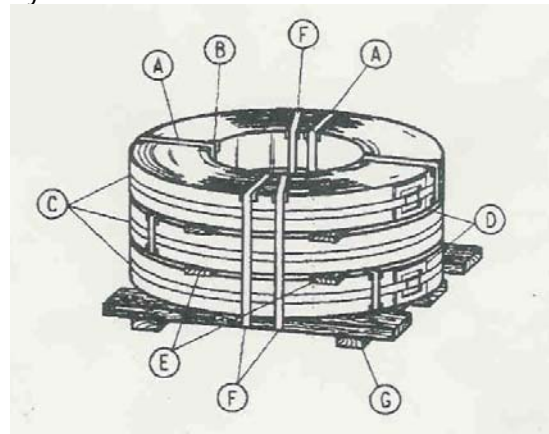
- Material 11" Wide & Under Should Be Packaged "Eye To Sky" Per Packaging Sketch Below, Paper Shrouding Required. **Maximum Skid Weight of 14,000 lbs.**
- Material Exceeding 11" Width Should Be Packaged "Eye Horizontal" Per Packaging Sketch Below, Paper Shrouding Required. **Maximum Bundle Weight of 15,000 lbs.**
- **Each Coil Requires Circumferential Bands & A Minimum Of 3 Eye Bands**

Eye Horizontal



- A. Eye Bands
- B. Corner Protectors
- C. Circumferential Bands
- D. Seal Protectors

Eye Vertical



- A. Eye Bands
 - B. Corner Protectors
 - C. Circumferential Bands
 - D. Seal Protectors
 - E. 1" Separators
 - F. Securement Bands
 - G. Skeleton Platform
- * Protect Material from Lumber

Delivery Address:

1601 Badger Rd.
Kaukauna, WI 54130
Updated 01-02-2017