

## Press Specifications

Press	Komatsu OBW200 (2 presses)	Komatsu H1F200 CS	Komatsu H1F200-2	Komatsu H1F200-2	Komatsu H1F200-2
Tonnage	220	220	220	220	220
Shut Height (SDAU)	16.68**	17.72	17.72	17.72	17.72
Stroke	9.84	9.84	11.8 / 1.18	11.8 / 1.18	11.8 / 1.18
Ram Adjustment	4.72	4.72	4.72	4.72	4.72
Strokes/Min.	30-50	20-50	50 /124	50 /124	40 / 62
Ram Area Depth x Width	26 x 73	26 x 34	26 x 34	26 x 34	26 x 34
Bolster Area Depth x Width	34 x 95	33 x 57	33 x 57	33 x 57	33 x 57
Feed Line Height	8 +/-4	n/a	8 +/-4	8 +/-4	8 +/-4
Feed Line Rating	.187 x 24	n/a	.156 x 12	.187 x 24	.187 x 18
Coil Weight Max.	10,000	n/a	6,500	6,500	6,500
Air Cushion	n/a	n/a	n/a	n/a	n/a
A.C. Tonnage	n/a	n/a	n/a	n/a	n/a
Ram Knockout	yes	yes	yes	yes	yes
Press Type	Mech.	Servo	Servo	Servo	Servo

<b>Press Specifications</b>				
<b>Press</b>	<b>Komatsu H2W 300 (2 presses)</b>	<b>Pacific 250PF-OBS (2 presses)</b>	<b>Pacific 400D10-48</b>	<b>Minster GS2-400</b>
<b>Tonnage</b>	330	250	400	440
<b>Shut Height (SDAU)</b>	23.6	12	15	29
<b>Stroke</b>	11.8 / 5.9	10	18	13.8
<b>Ram Adjustment</b>	7.8	adj.	adj.	9.8
<b>Strokes/Min.</b>	40 / 55	n/a	n/a	53 / 110
<b>Ram Area Depth x Width</b>	47 x 82	34 x 58	48 x 120	55 x 120
<b>Bolster Area Depth x Width</b>	47 x 94	34 x 58	48 x 120	55 x 120
<b>Feed Line Height</b>	12 +/-64	n/a	n/a	8 + 12
<b>Feed Line Rating</b>	.281 x 24 .375 x 12 .500 x 8	n/a	n/a	.139 x 48
<b>Coil Weight Max.</b>	15,000	n/a	n/a	30,000
<b>Air Cushion</b>	n/a	yes	yes	n/a
<b>A.C. Tonnage</b>	n/a	75	135*	n/a
<b>Ram Knockout</b>	yes	yes	yes	no
<b>Press Type</b>	Servo	Hyd.	Hyd.	Servo

\*400 ton Pacific has three cushions @ 45 tons each  
 \*\*Dimensions reflect 3" plate mounted to ram

## Coil Specifications & Packaging Instructions

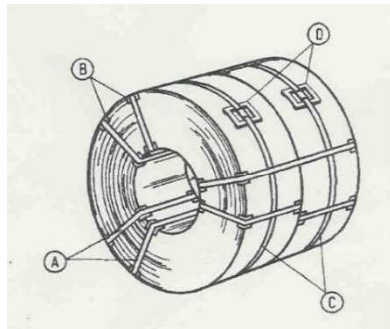
(Updated: 2/5/2026)

### Coil Specifications:

- ID 17-20"
- OD 65" Maximum (48" Preferred Minimum)
- 10,000# Maximum Coil Weight \*Unless Otherwise Noted
- Paper Shroud Top/Bottom
- Forklift "Rear" Unloading, Via Loading Dock
- Ship Via Flatbed W/ Removable Sides (Tarped) Or Closed Van
- Truck Bed Must Be Standard Loading Dock Height 48"
- Receiving Hours 6:00 am/3:30 pm Monday-Thursday, 6:00 am/2:00 pm Friday
- Drivers Should Call For Deviations 920-766-9455 Ext. 202, **Aaron Allen**
- Coil Tags W/ Following Information: FVTD PO #, Material ID #, Material Description & Size, Coil Wt., Tare Wt., Heat #
- Any Coil Deviations, Please Contact **Jeremy Eisenschink** 920-766-9455 Ext. 207

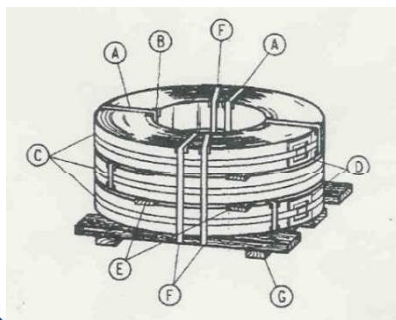
### Packaging Instructions:

- Material Exceeding 11" Width Should Be Packaged "Eye Horizontal" Per The Packaging Sketch Below, Paper Shrouding Required. Maximum Bundle Weight Of 12,000 Lbs.
- Material 11" Wide & Under Should Be Packaged "Eye Vertical" Per Packaging Sketch Below, Paper Shrouding Required.
- Maximum Skid Weight Of 12,000 Lbs.
- Each Coil Requires Circumferential Bands & A Minimum Of 3 Eye Bands



### Eye Horizontal

- A. Eye Bands
  - B. Corner Protectors
  - C. Circumferential Bands
  - D. Seal Protectors
  - E. 1" Separators
  - F. Securement Bands
  - G. Skeleton Platform
- \* Protect Material from Lumber



### Eye Vertical

- A. Eye Bands
  - B. Corner Protectors
  - C. Circumferential
  - D. Seal Protectors
- \* Protect Material from Lumber

### Delivery Address:

1601 Badger Rd. Kaukauna, WI 54130